
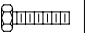


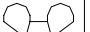
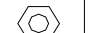

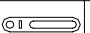


RF-Link™

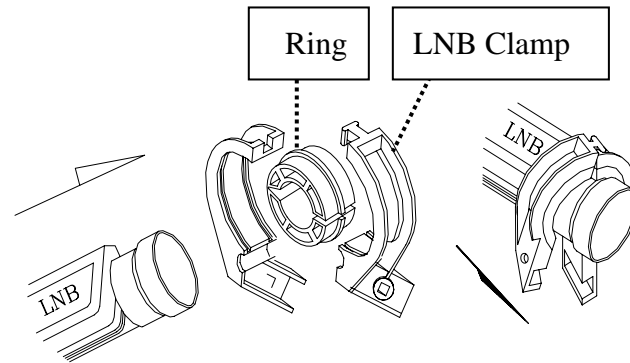
Camping Kit – All-in-one Solution

- 35cm Dish+ 2 types **Mount** for option
- LNB + 5M Cable*2 + Compass

Ⓐ		2	M6* 70mm
Ⓑ		1	M6*40mm
Ⓒ		1	M6*15mm
Ⓓ		1	M6*30mm
Ⓔ		4	M6
Ⓕ		2	M6 HEX NUT
Ⓖ		6	M6 WASHER
Ⓕ		1	

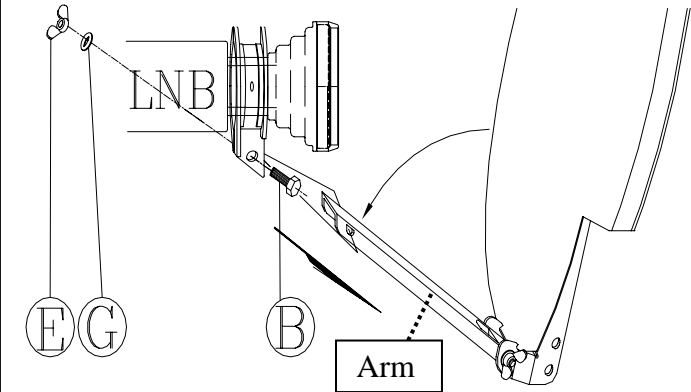
Step1. Assemble the LNB in to the clamp

Firstly, fix the **Ring** on the neck of **LNB**.
Then fix the **LNB+Ring** into the **LNB Clamp**



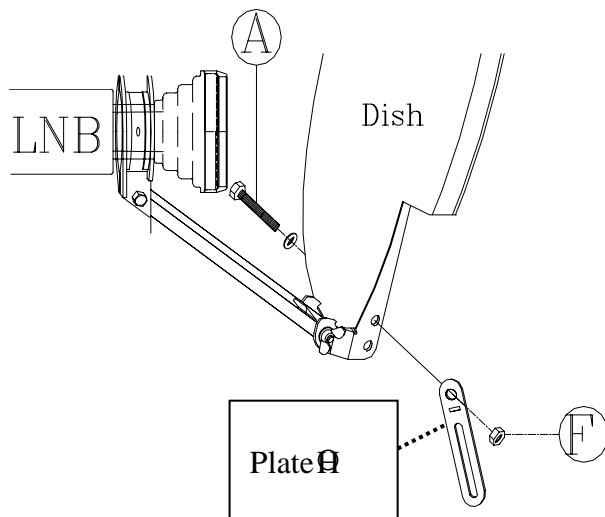
Step2. Assemble the LNB+Clamp to the Arm

Use Screw **Ⓑ** & washer **Ⓖ**+ Nut **Ⓓ**.



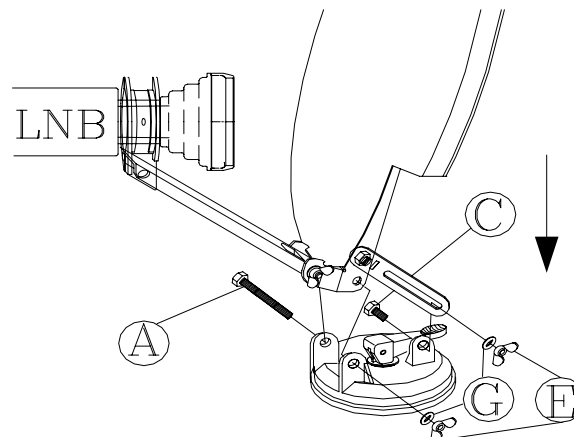
Step3. Assemble the Plate **Ⓕ** to the Dish

Use Screw **Ⓐ** & washer **Ⓖ**+ Nut **Ⓓ**.



Step4. Assemble the "Suction" MOUNT (Type II)—For sucking on Window or Car

- Use Screw **Ⓐ** & washer **Ⓖ**+ Nut **Ⓓ** to fix the **Dish** to the **Suction Mount**.
- Use Screw **Ⓒ** to fix Plate **Ⓕ** to the **Suction Mount** with washer **Ⓖ**+ Nut **Ⓓ**.



Step5. Adjust the Elevation Angle to catch signal

Use the Compass and Angle Table in Page 3.

