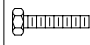



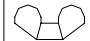


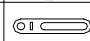


RF-Link™

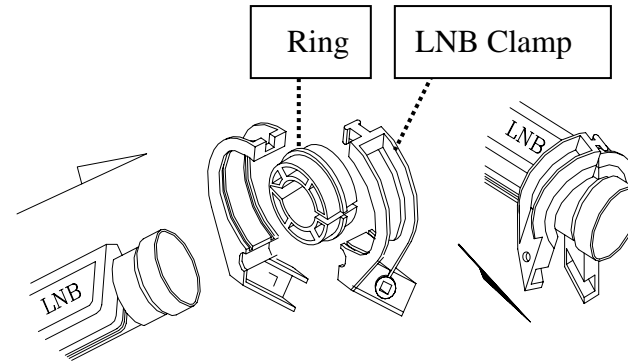
Camping Kit – All-in-one Solution

- 35cm Dish+ 2 types Mount for option
- LNB + 5M Cable*2 + Compass

Ⓐ		2	M6* 70mm
Ⓑ		1	M6*40mm
Ⓒ		1	M6*15mm
Ⓓ		1	M6*30mm
Ⓔ		4	M6
Ⓕ		2	M6 HEX NUT
Ⓖ		6	M6 WASHER
Ⓗ		1	

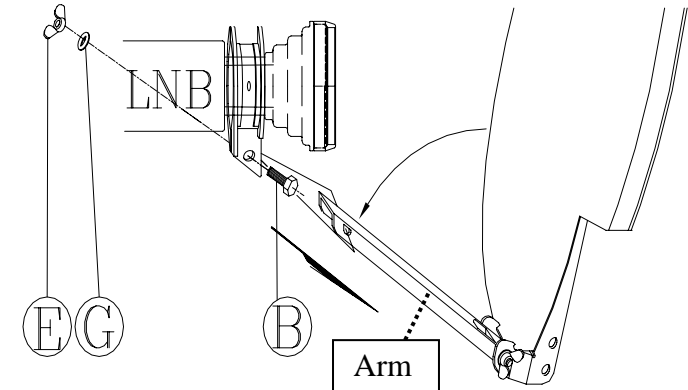
Step1. Assemble the LNB in to the clamp

Firstly, fix the **Ring** on the neck of **LNB**.
Then fix the **LNB+Ring** into the **LNB Clamp**



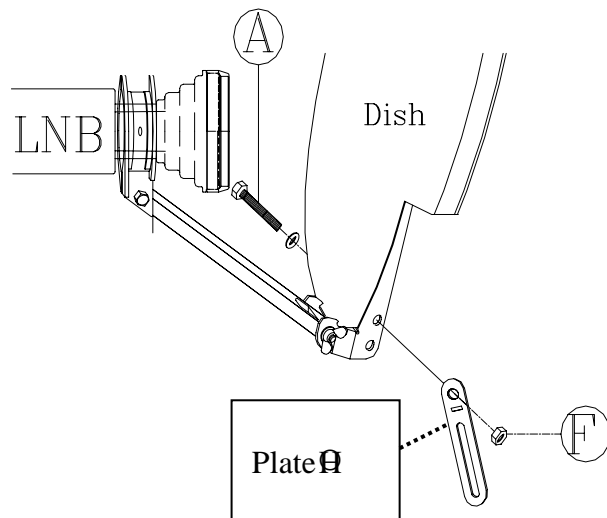
Step2. Assemble the LNB+Clamp to the Arm

Use Screw **Ⓑ** & washer **Ⓖ**+ Nut **Ⓓ**.



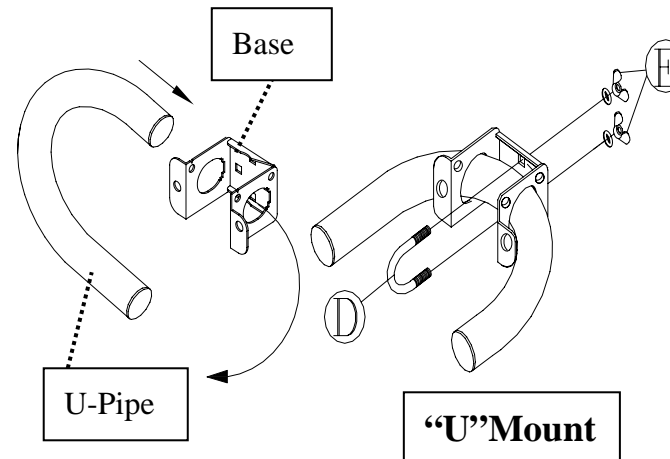
Step3. Assemble the Plate **Ⓗ** to the Dish

Use Screw **Ⓐ** & washer **Ⓖ**+ Nut **Ⓓ**.



Step4. Assemble the "U" MOUNT (Type I)—For standing on Table

Use U-Bolt **Ⓓ** & washer **Ⓖ***2+ Nut **Ⓓ***2 to fix the "U" pipe into to the **Base**.



Step5. Fix the "U" Mount with the Dish

- Use Screw **Ⓐ** to fix the Dish to "U" Mount with washer **Ⓖ**+ Nut **Ⓓ**.
- Use Screw **Ⓒ** to fix Plate **Ⓗ** to the **Base** with washer **Ⓖ**+ Nut **Ⓓ**.

